

Production Worksheet

Wilcom EmbroideryStudio - Designing

HAPPY VALENTINE'S DAY I 4X4

Design: **Happy Valentine's Day I 4x4**




Title:

Stitches: 10,714
Height: 94.8 mm
Width: 80.1 mm
Colors: 2
Colorway: Colorway 1
Zoom: 1.60

z digitizing
support@zdigitizing.com
+1 (213) 788-6748

Machine format: Tajima
Color changes: 2
Stops: 3
Trims: 16
Left: 40.0 mm
Right: 40.1 mm
Up: 47.4 mm
Down: 47.4 mm
EndX: 0.0 mm
EndY: 0.0 mm
Area: 7592.2 mm²
Max stitch: 9.0 mm
Min stitch: 0.2 mm
Max jump: 7.0 mm

Stop Sequence:

#	N#	Color	St.	Code	Name	Chart
1.	2		2,857	1003	White	Madeira Classic 40
2.	1		8,194	1378	Red	Madeira Classic 40
3.	2		10,712	1003	White	Madeira Classic 40



Color Film

Wilcom EmbroideryStudio - Designing

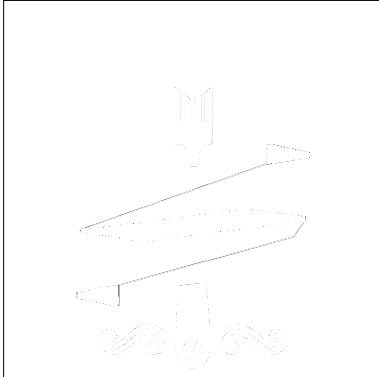
HAPPY VALENTINE'S DAY I 4X4

Design: **Happy Valentine's Day I 4x4**

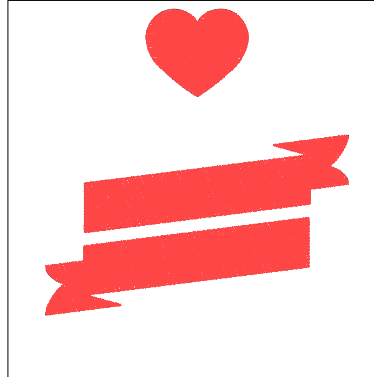
Title:

Stitches: 10,714
Height: 94.8 mm
Width: 80.1 mm
Colors: 2
Colorway: Colorway 1
Zoom: 0.50

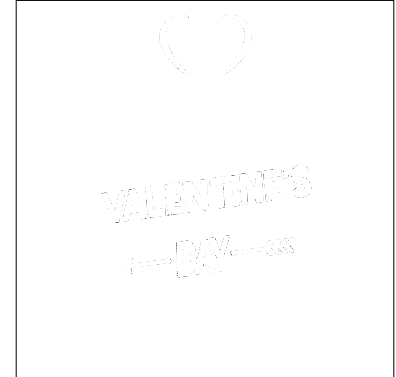
z digitizing
support@zdigitizing.com
+1 (213) 788-6748



Stop #: 1
Element:
Code: 1003
Name: White
Chart: Madeira Classic 40
Stitches: 2,857
Thread used: 14.01m



Stop #: 2
Element:
Code: 1378
Name: Red
Chart: Madeira Classic 40
Stitches: 5,337
Thread used: 32.08m



Stop #: 3
Element:
Code: 1003
Name: White
Chart: Madeira Classic 40
Stitches: 2,518
Thread used: 10.16m